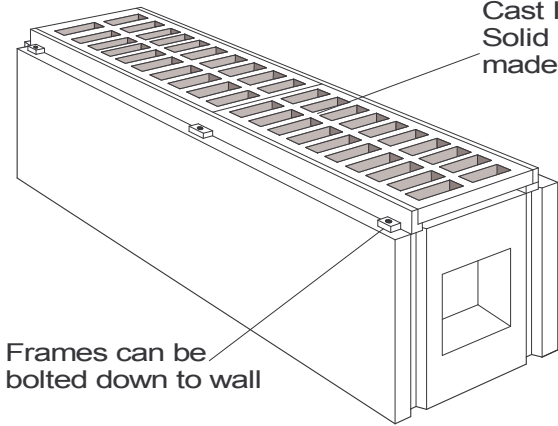
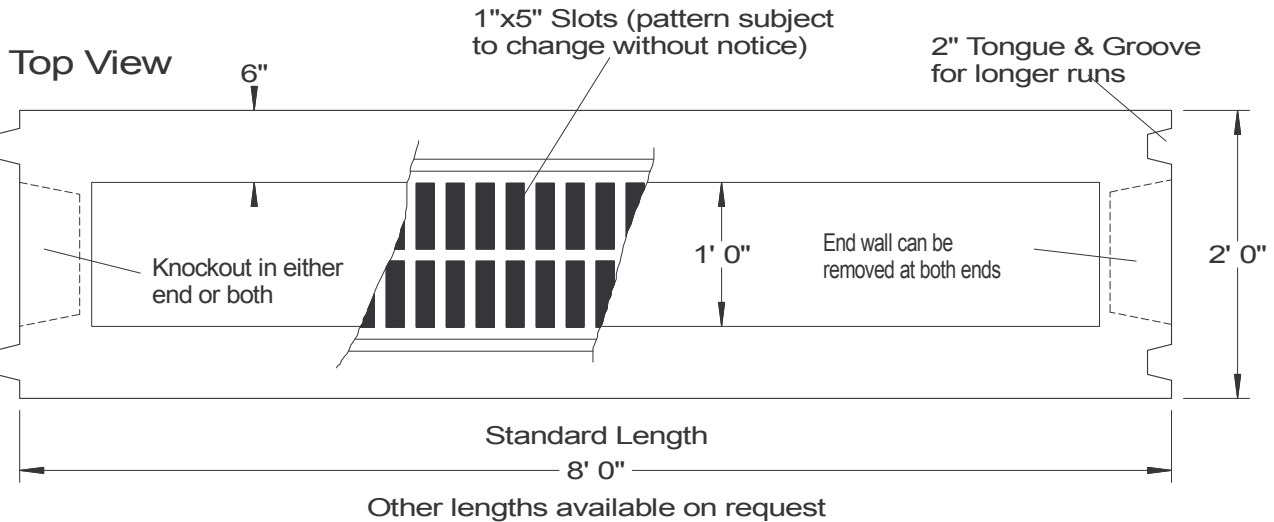
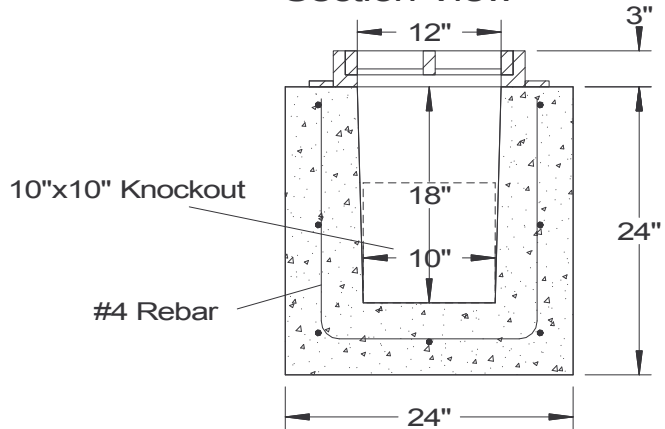


Cast Iron Grate: 14"x24" sections
 Cast Iron Frame: 48" sections
 Solid Concrete Covers can be made for use as a utility trench.



Section View



SPECIFICATIONS	
Concrete Min. Strength: 4,000 psi at 28 days Reinforcement: #4 Rebar / ASTM A615 Air Entrainment: 5% Weight = 3,000 lbs Load Rating: H20 / ASTM C857	PRECAST TRENCH DRAIN HEAVY DUTY MODEL TD-HD Woodard's Concrete Products, Inc. 629 Lybolt Road, Bullville, NY 10915 (845) 361-3471 / Fax 361-1050
Page 3I 12/31/09	